

PRODUCT NUMBER  
76341-YXXXLF

WHEN NEEDED, SUFFIX LETTER "LF"  
INDICATES THE PRODUCT IS RoHS  
COMPATIBLE, SEE NOTE 5.

OPTIONAL LETTER  
H: HIGH TEMPERATURE PRODUCT.

NUMBER OF POSITIONS: 02 TO 50.

PLATING CODE

3= 0.76µm GOLD ON CONTACT AREA.

3.81µm TIN-LEAD ON TAIL.

4= 5µm TIN-LEAD ON CONTACT AREA.

3.81µm TIN-LEAD ON TAIL.

WHEN SUFFIX "LF" IS REQUIRED, 2µm MIN MATTE  
TIN OVER 1.27 MIN Ni IS SUPPLIED INSTEAD OF SnPb.

NOTES:

- 1 - HOUSING MAT'L: THERMOPLASTIC GLASS FILLED  
FLAME RETARDANT PER UL 94 V-0  
LOW TEMPERATURE: COLOR BLUE  
HIGH TEMPERATURE: COLOR GREY.
- 2 - TERMINAL MATERIAL: PHOSPHOR BRONZE.
- 3 - 2 UP TO 4 POSITIONS PRODUCT PACKED IN PLASTIC BOX.  
5 UP TO 50 POSITIONS PRODUCT PACKED IN TUBE.

4 - TO DETERMINE DIMENSIONS:

N = NUMBER OF POSITIONS

EXAMPLE: 8 POS:  $(N \times 2.54) - 0.08 = 20.24$  mm

5 - RoHS COMPATIBLE PRODUCT SPECIFICATIONS

a - PLATING:

- "LF" MEANS THE PRODUCT IS LEAD-FREE,  
2µm MINIMUM MATTE TIN OVER 1.27µm  
MINIMUM NICKEL UNDERPLATE.

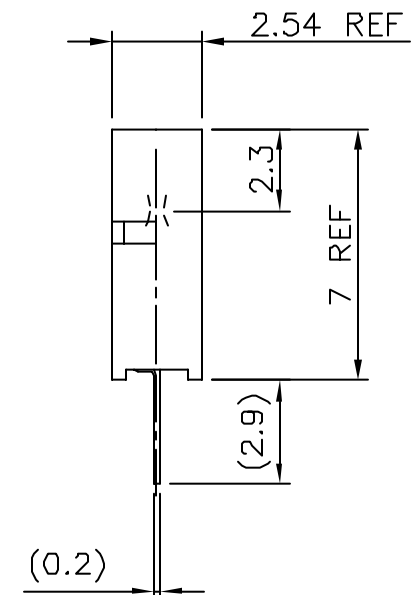
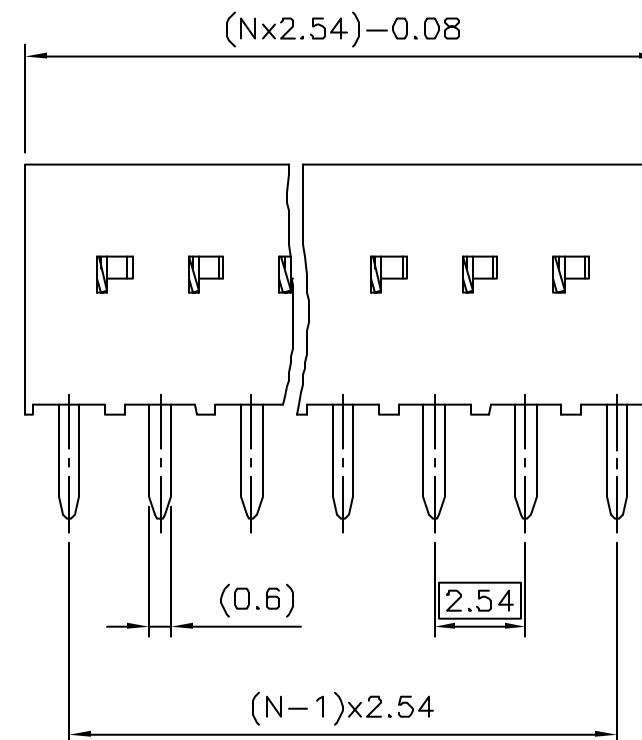
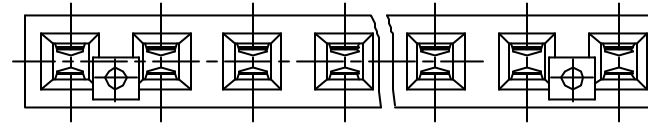
b - MANUFACTURING PROCESS COMPATIBILITY

- THE HOUSING WILL WITHSTAND EXPOSURE TO  
260°C ±5°C SOLDER BATH TEMPERATURE FOR  
5 SECONDS IN A WAVE SOLDER APPLICATION  
WITH A 1.6mm MIN THICK CIRCUIT BOARD.

c - LABELING:

- MEETS PACKAGING SPECS AS PER GS-14-920

d - LEGAL STATEMENT: SEE GS-22-008



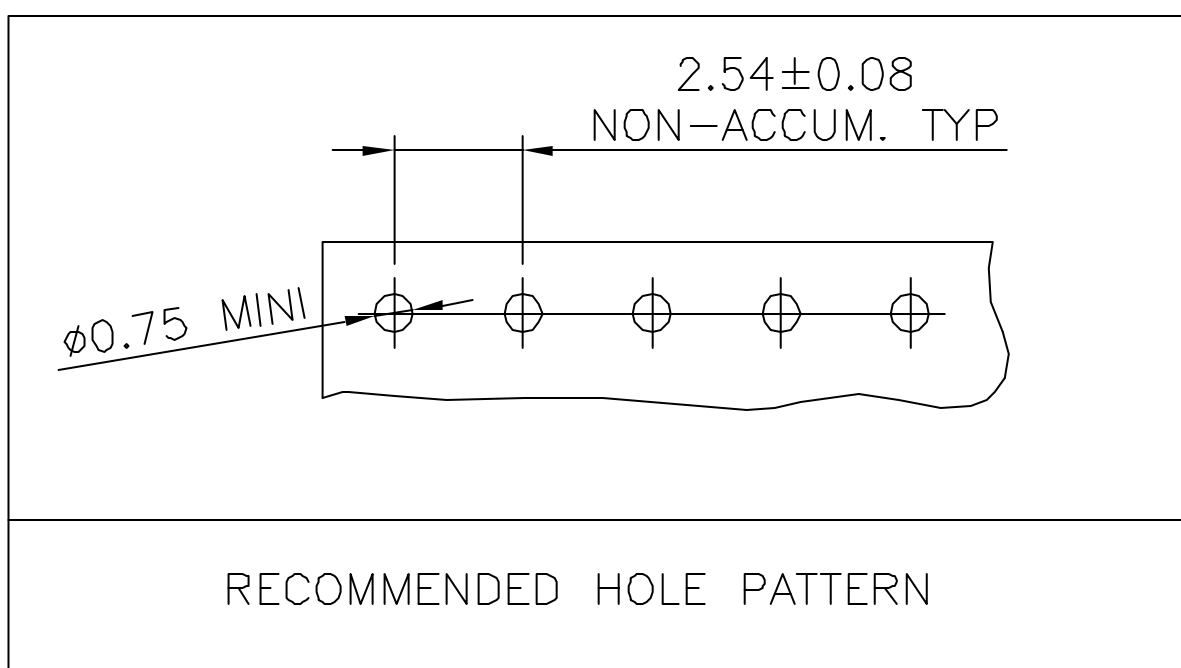
mat'l. code		surface		tolerance		projection		product family	
SEE NOTES		ISO 1302		ISO 406 ISO 1101		mm		DUBOX	
ltr	ecn na	dr	date	tolerances unless otherwise specified		mm		title	
G	F10030	PVA	91.02.26	angles	Linear	±0.3		BtB RECEPT.	
H	F60711	PNZ	96.10.11	±2'		scale 5:1		VERT SR TMT	
J	FB0115	PNZ	98.01.22					dwg no	
K	F10110	GCO	01.01.16	dr	D LEGRAND	04.09.27		sheet 1 of 2	
L	F03-0284	DLE	03.10.07	enr	P NIZZI	04.09.27		size	
M	F04-0347	DLE	04.09.27	chr	D LEGRAND	04.09.27		76341	
N	F06-0204	DLE	06.06.20	appd	P NZ	04.09.27		A3	
sheet	revision	N	B					type	
index	sheet	1	2					CUSTOMER Drawing	



Copyright FCI

A

A



B

B

C

C



Copyright FCI

mat'l. code SEE SHEET 1				surface ISO 1302 <input checked="" type="checkbox"/>		tolerance ISO 406 ISO 1101		projection 		product family DUBOX			
Ltr				ecn no		dr		date		title			
A				F04-0347		DLE		04.09.27		BtB RECEPT. VERT SR TMT			
B				F06-0204		DLE		06.06.20					
				angles		linear		±0.3		mm			
				±2'						scale 5:1			
				dr		D LEGRAND		04.09.27		dwg no		sheet 2 of 2	
				enr		P NIZZI		04.09.27		76341		A4	
				chr		D LE		04.09.27		type		CUSTOMER Drawing	
				appd		P NZ		04.09.27					
sheet index		revision sheet											

D

D